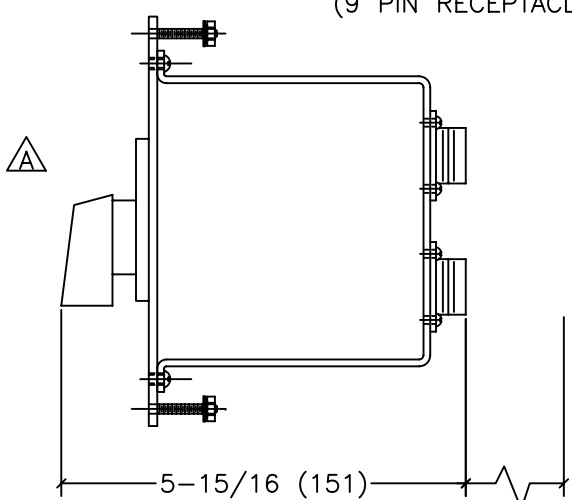
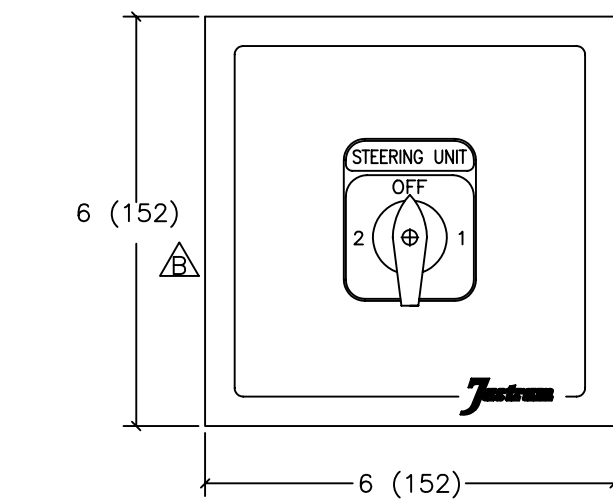
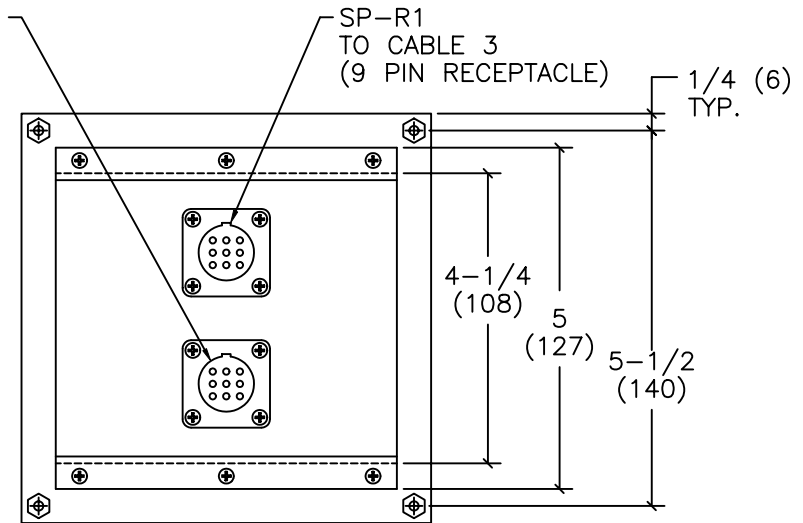


6-32 x 1" LG. STUD WITH NUT, LOCKWASHER & WASHER (4 PLACES) MAXIMUM ALLOWABLE PANEL THICKNESS 11/16 (17)

- NOTES:**
1. QUICK DISCONNECT, WATER RESISTANT PLUGS (WITH STRAIN RELIEF) SUPPLIED BY JASTRAM.
  2. LEAVE 4 INCHES (100mm) CLEARANCE FROM RECEPTACLE FOR CABLE.
  3. SP-66-2 MAY HAVE A FIRE RESISTANT BARRIER SEPARATING UNIT 1 & UNIT 2 SWITCH STAGES.



SP-R2 TO SECOND UNIT'S CABLE 3 (9 PIN RECEPTACLE)



SP-R1 TO CABLE 3 (9 PIN RECEPTACLE)

ALL DRAWINGS, TECHNICAL DATA AND INTELLECTUAL INFORMATION ARE PROPERTY OF JASTRAM ENGINEERING LTD. THEY ARE NOT TO BE COPIED, DUPLICATED OR USED WITHOUT THE WRITTEN CONSENT OF JASTRAM ENGINEERING LTD.

**TOLERANCES:** (UNLESS SPECIFIED OTHERWISE)

X.X	+/- 0.1	FRACTION	+/- 1/64
X.XX	+/- 0.01	ANGULAR	+/- 0.5 DEG.
X.XXX	+/- 0.005	SURFACE FINISH	

ALL DIMENSIONS IN INCH(mm)

B	18-09-01	SEE DCN 010038	
A	14-10-97	SEE DCN 970054	G.C.
REV.	DATE	DRAWING/DESIGN CHANGE No.	BY



JASTRAM ENGINEERING LTD.  
467 Mountain Highway  
North Vancouver, B.C.  
Canada V7J 2L3  
Tel.: (604) 986-0714  
Fax: (604) 986-0334

DATE: (D/M/Y) 08-06-94	SCALE: 1/2":1"	DRAWN: M.L.	APPR. G.C.   L.L.   L.L. PROD.
TITLE: SP-66 STARTER PANEL OVERALL DIMENSIONS			DRAWING NUMBER: B-721063