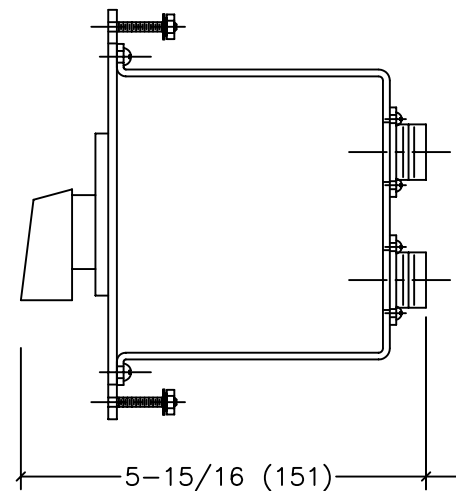
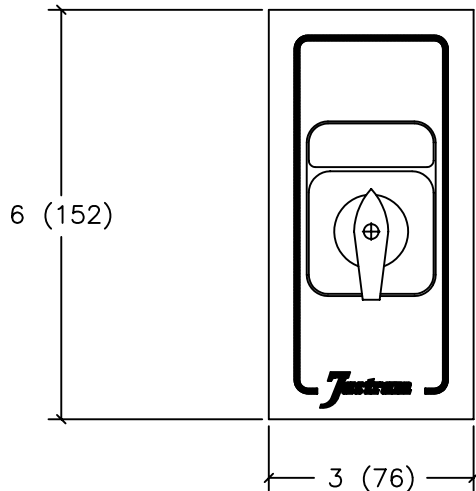
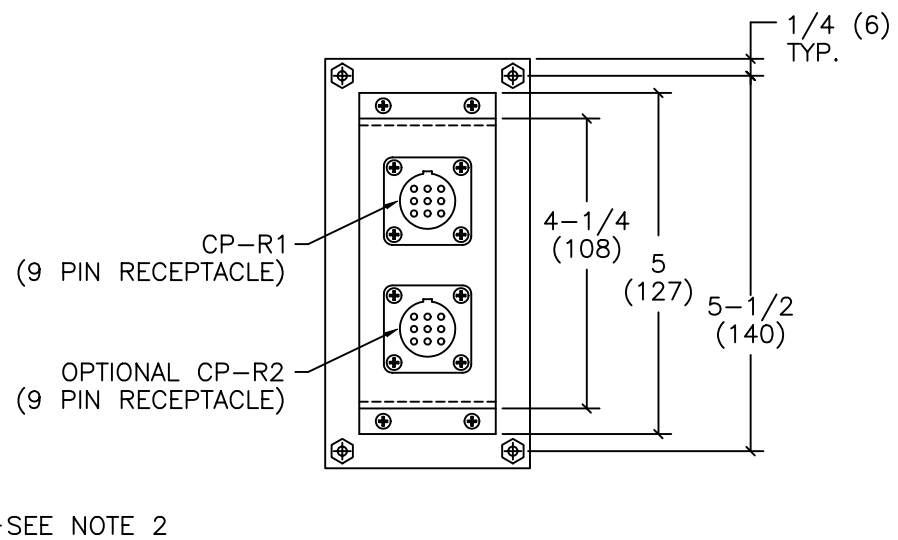


6-32 x 1" LG. STUD WITH NUT, LOCKWASHER & WASHER (4 PLACES) MAXIMUM ALLOWABLE PANEL THICKNESS 11/16 (17)



- NOTES:**
1. QUICK DISCONNECT, WATER RESISTANT PLUGS (WITH STRAIN RELIEF) SUPPLIED BY JASTRAM.
 2. LEAVE 4 INCHES (100mm) CLEARANCE FROM RECEPTACLE FOR CABLE.



ALL DRAWINGS, TECHNICAL DATA AND INTELLECTUAL INFORMATION ARE PROPERTY OF JASTRAM ENGINEERING LTD. THEY ARE NOT TO BE COPIED, DUPLICATED OR USED WITHOUT THE WRITTEN CONSENT OF JASTRAM ENGINEERING LTD.

TOLERANCES: (UNLESS SPECIFIED OTHERWISE)

| | | | |
|-------|-----------|----------------|--------------|
| X.X | +/- 0.1 | FRACTION | +/- 1/64 |
| X.XX | +/- 0.01 | ANGULAR | +/- 0.5 DEG. |
| X.XXX | +/- 0.005 | SURFACE FINISH | ▽ |

ALL DIMENSIONS IN INCH(mm)

| REV. | DATE | DRAWING/DESIGN CHANGE No. | BY |
|---|------|--|---|
| | | JASTRAM ENGINEERING LTD. 467 Mountain Highway North Vancouver, B.C. Canada V7J 2L3 Tel.: (604) 986-0714 Fax: (604) 986-0334 | |
| | | DATE: 15-03-00 (D/M/Y) SCALE: 1/2":1" | DRAWN: G.T. APPR. _____ ENG. _____ PROD. _____ |
| TITLE: CP-36 CONTROL PANEL OVERALL DIMENSIONS | | | |