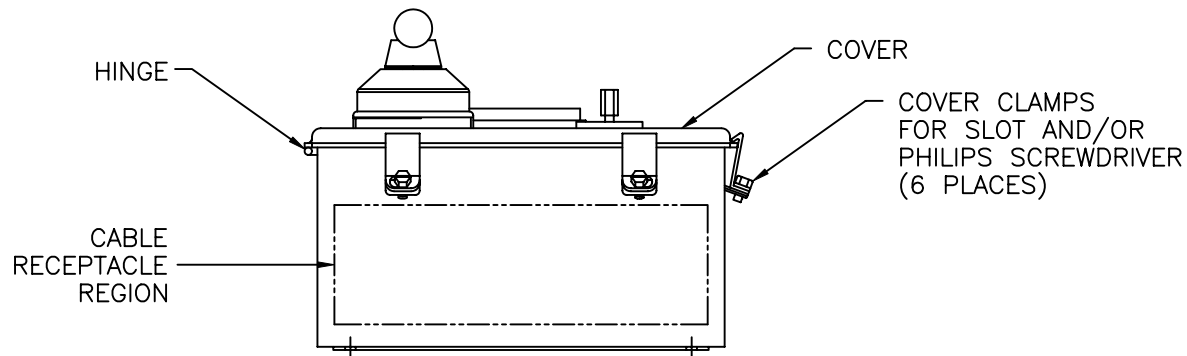


**NOTES:**

1. QUICK DISCONNECT, WATER RESISTANT PLUGS (WITH STRAIN RELIEF) SUPPLIED BY JASTRAM.
2. LEAVE 4 INCHES CLEARANCE FROM EACH RECEPTACLE FOR CABLES.
3. LEAVE CLEARANCE FOR REMOVAL OF COVER CLAMP AND ACCESS TO INTERIOR.
4. NEMA 4 ENCLOSURE.



**TOLERANCES:** (UNLESS SPECIFIED OTHERWISE)

X.X	+/- 0.1	FRACTION	+/- 1/64
X.XX	+/- 0.01	ANGULAR	+/- 0.5 DEG.
X.XXX	+/- 0.005	SURFACE FINISH	✓

ALL DIMENSIONS IN INCH(mm)

ALL DRAWINGS, TECHNICAL DATA AND INTELLECTUAL INFORMATION ARE PROPERTY OF JASTRAM ENGINEERING LTD. THEY ARE NOT TO BE COPIED, DUPLICATED OR USED WITHOUT THE WRITTEN CONSENT OF JASTRAM ENGINEERING LTD.

A	09-11-95	SEE DCN 950082	
REV.	DATE	DRAWING/DESIGN CHANGE No.	BY
		JASTRAM ENGINEERING LTD. 485 Mountain Highway North Vancouver, B.C. Canada V7J 2L3 Tel.: (604) 986-0714 Fax: (604) 986-0334	
		DATE: 06-09-95 (D/M/Y)	SCALE: N.T.S.
TITLE: EMERGENCY STATION JUNCTION BOX OVERALL DIMENSIONS			DRAWING NUMBER: B-721092